

DESERT SUN

12" finished quilt block

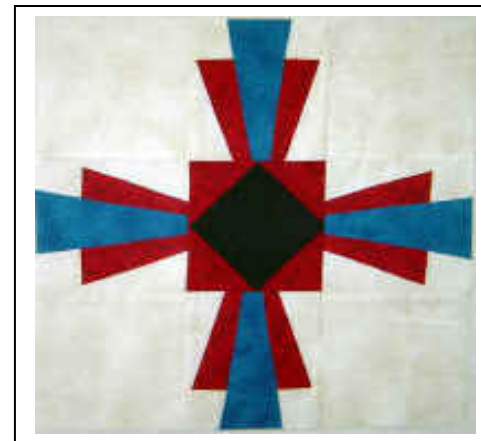
CUTTING INSTRUCTIONS

Background Fabric
8 - 4 1/2" squares

Black
1 - 4 1/2" square

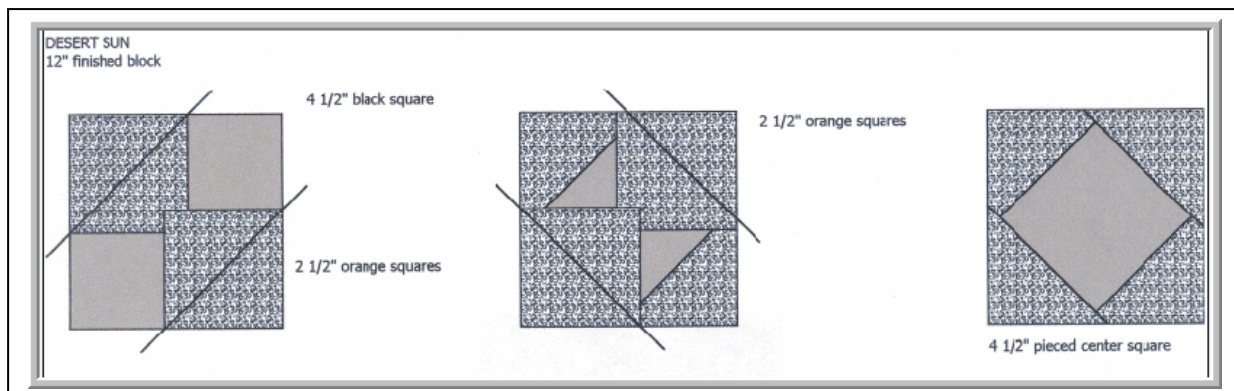
Orange
4 - 2 1/2" squares
4 - Template A

Multi Color Print
4 - Template B



Piecing the Center Square

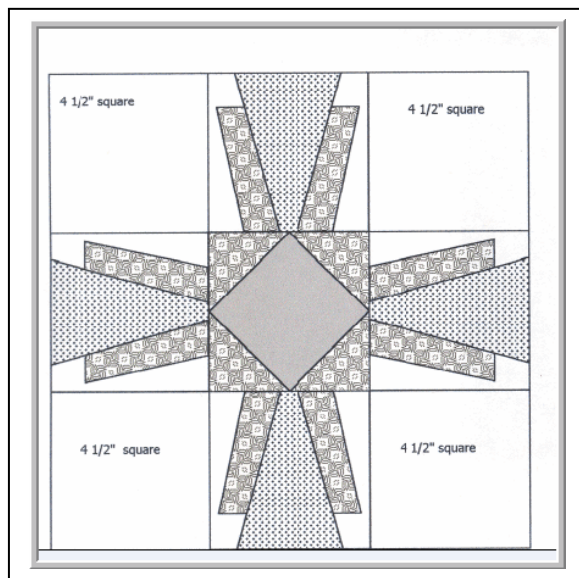
1. Using the 2 1/2" orange squares and the 4 1/2" black square, piece the center square. Draw a diagonal line with a pencil on the wrong side of each of the 2 1/2" orange squares.
2. Position the orange squares on the opposite corners of the black square with right sides together, as shown below in the assembly diagram. Sew on the drawn line.
3. Trim off excess triangle pieces making sure to leave the 1/4" seam allowance.
4. Press seam allowances outward.
5. Repeat process with the remaining 2 orange squares to finish the center square.
Finished square should measure 4 1/2" x 4 1/2".

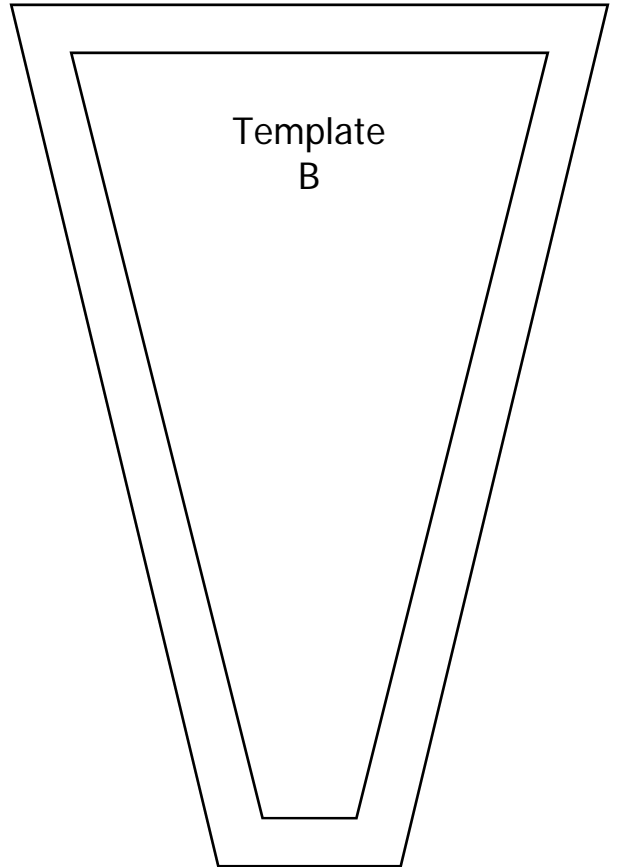
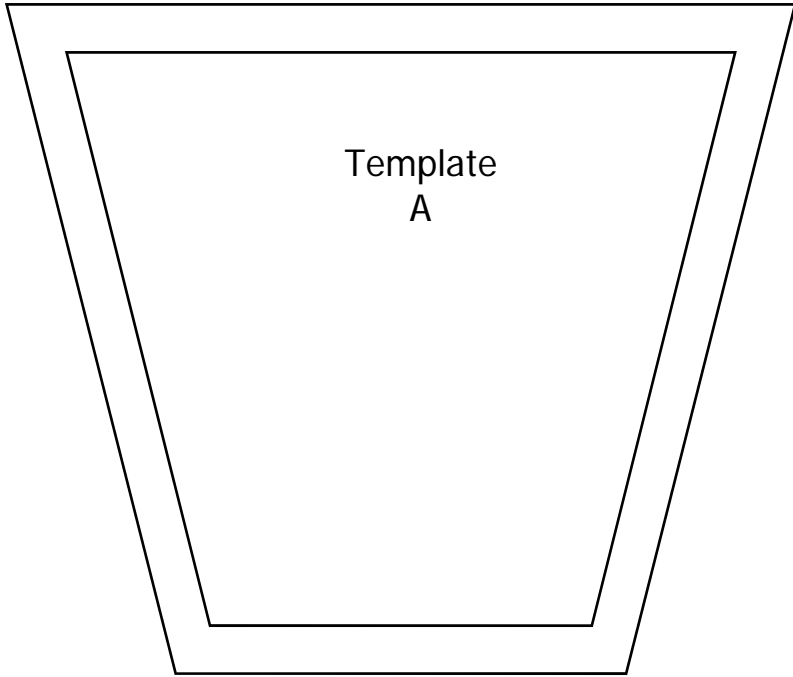


Appliqué Squares

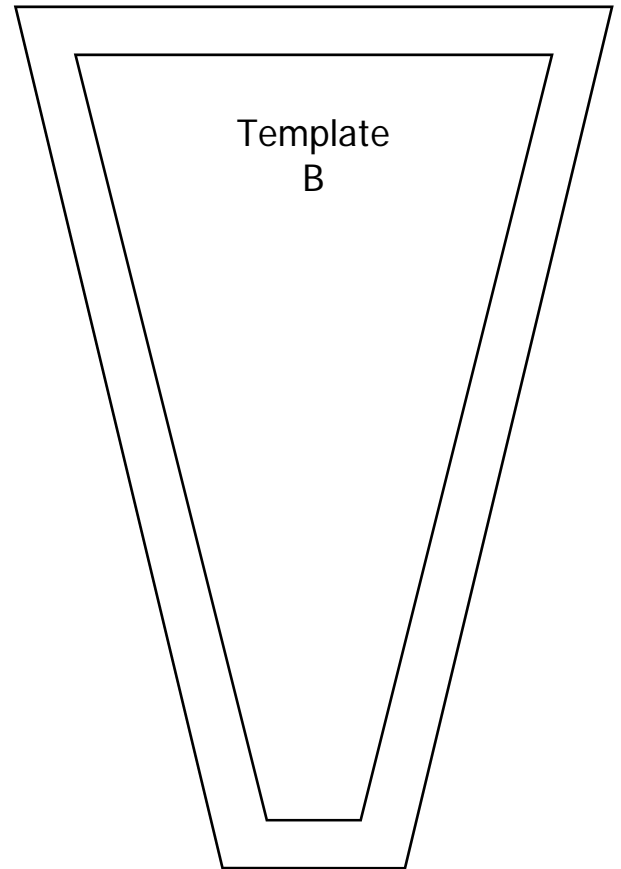
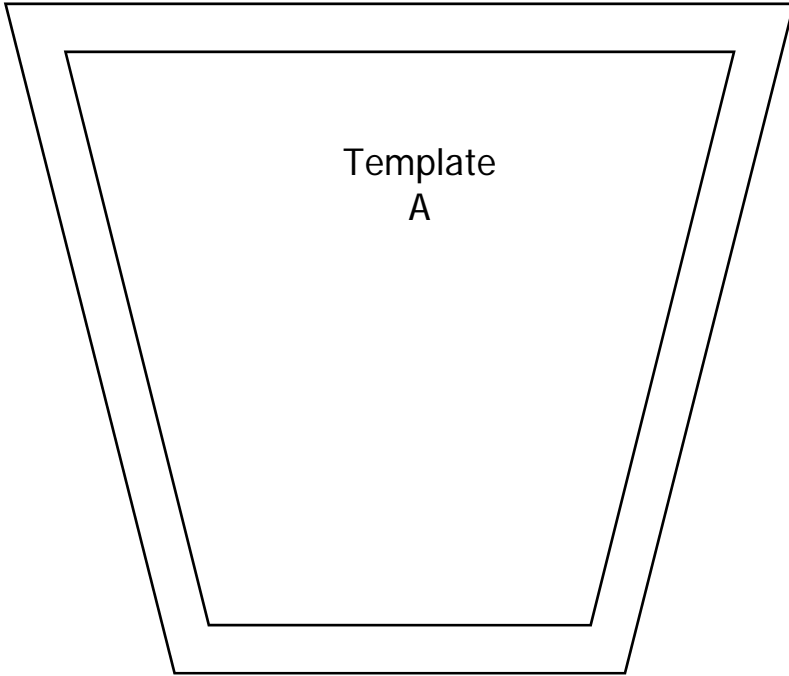
Print the templates and make sure your printer is set at the right settings. Some printers are automatically set at 100% and others scale or zoom, so make sure you are set at 100% and that your final printed measurements match the measurements given on the template pieces. If they are too big you might have to scale your printer settings to somewhere between 90 and 100% if you want to use the templates.

1. Make templates of appliqué pieces A & B.
2. Using your favorite appliqué technique, appliqué pieces to 4 1/2" background squares, as shown. Appliqué pieces in alphabetical order.
3. Make 4 identical appliqué squares.
4. Assemble the block as shown in block assembly diagram.

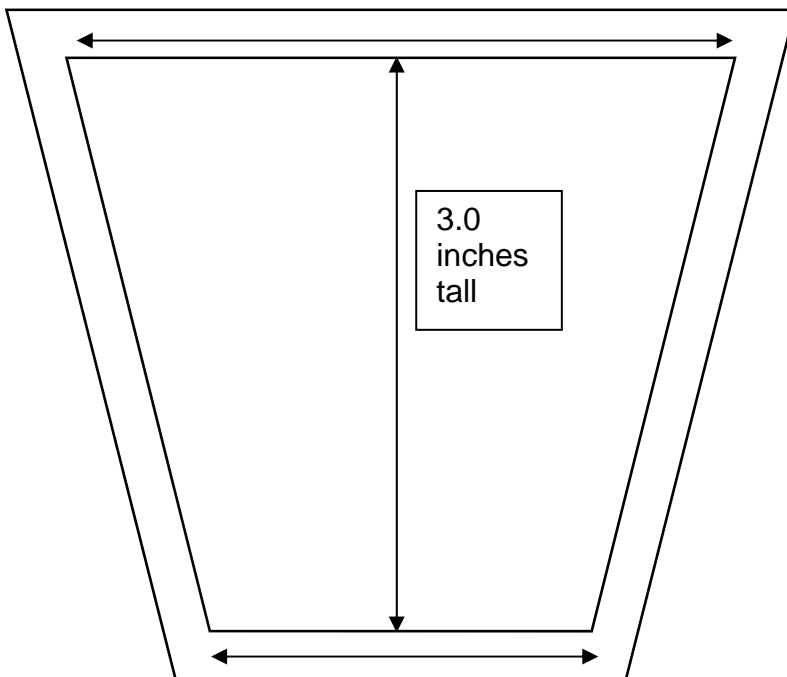




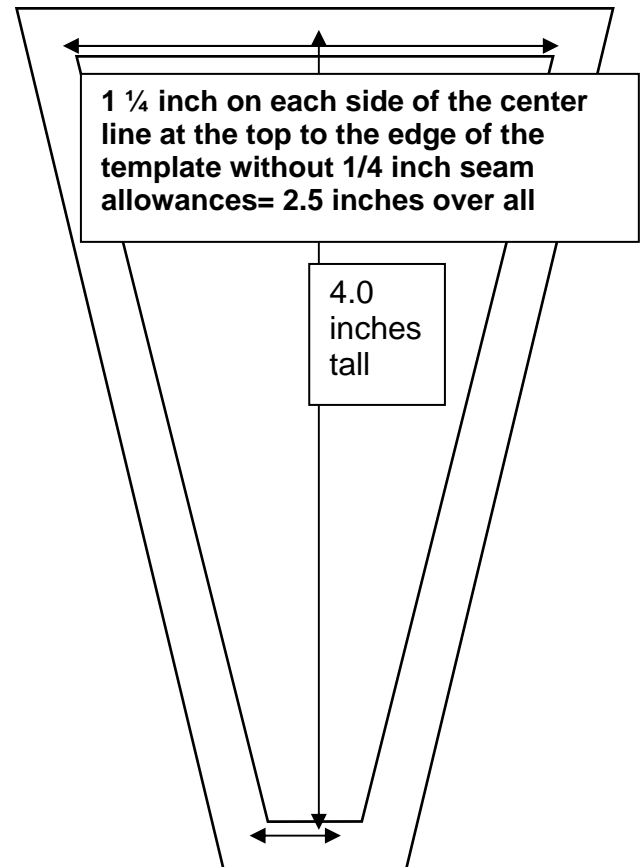
These templates are shown with the 1/4 inch seam allowances included. Measure the inner area per the instructions below to make sure they are printing to the correct size for you. If not, adjust your printer scaling as necessary.



1 3/4 inch on each side of the center line to the edge of the template without the seam allowances= 3.5 inches over all without allowances. Add 1/4 inch on each side if needed for your method.



1 inch on each side from the center line of the template without seam allowances= 2 inches over all



1/4 inch on each side of the center line at the bottom to the edge of the template without 1/4 inch allowances= 0.5 inches over all